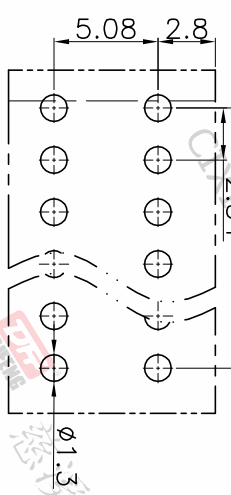
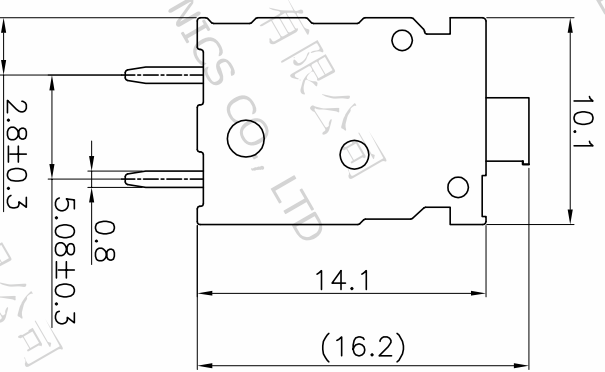
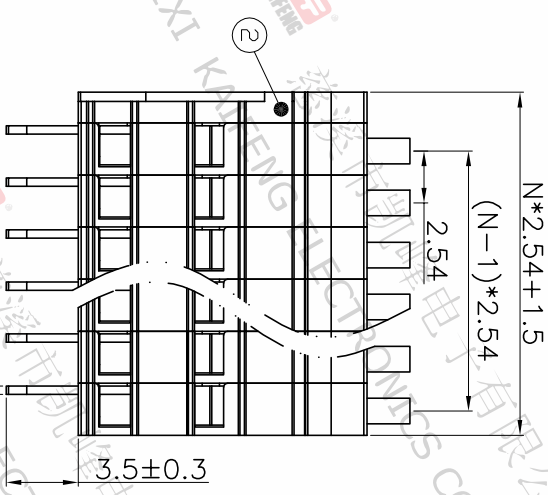
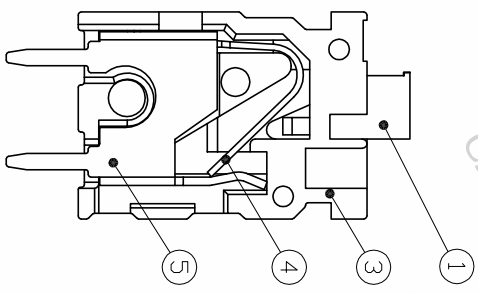
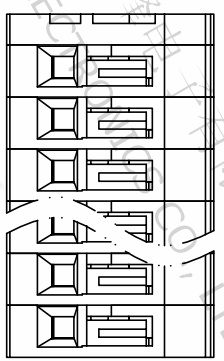


REV.	DESCRIPTION	DATE	DRAFTER	APPROVER
A1	DWG.REL	2020.05.26	DENG	JIN



P.C.B. LAYOUT

Pitch range	Nominal dimension range	PROJECTION
>0	>0	0.1/10
~6	>30	~
~10	>60	~
~24	>100	~
~30	>150	~
~60	±1.00	±2°
~100	±1.30	
~150		
±0.15	±0.30	
±0.20	±0.50	
±0.30	±0.70	
±0.50	±1.00	
±0.70	±1.30	

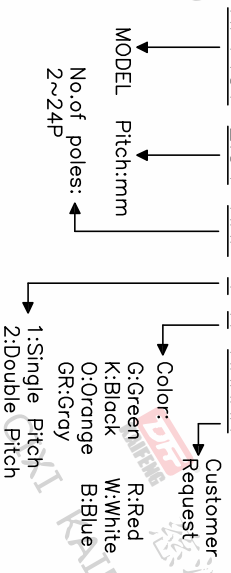
DRAWING TYPE	CUSTOMER DRAWING
SCALE	1:1
SHEET	1 OF 1
DRAWING NO.	W15000122

PROJECTION	UNIT	TITLE
mm	A4	KF143V-2.54-XXP-1X
SHEET SIZE	A4	SERIES KF143

- Material
 - ØButton : PA66, UL94V-0
 - ØCover : PA66, UL94V-0
 - ØHousing : PA66, UL94V-0
 - ØReed : Stainless steel
 - ØPin header : Copper alloy, Tin plated
- Electrical

UL	IEC
Rated voltage : 150V	130V
Rated current : 5A	6A
Contact resistance : 20mΩ(Max)	
Insulation resistance: 500MΩ/DC500V	
Withstanding Voltage : AC1250V/1min	
Wire range: 24-20AWG 1.0mm ²	
- Mechanical
 - Operating temperature: -40°C~+105°C
 - Soldering temperature: 250°C±5/5sec
 - Strip length: 11mm
- RoHS compliance

HOW TO ORDER
KF143V-2.54-XXP-1 X-XXXXX



DF 慈溪市凯峰电子有限公司
CIXI KAIFENG ELECTRONICS CO.,LTD