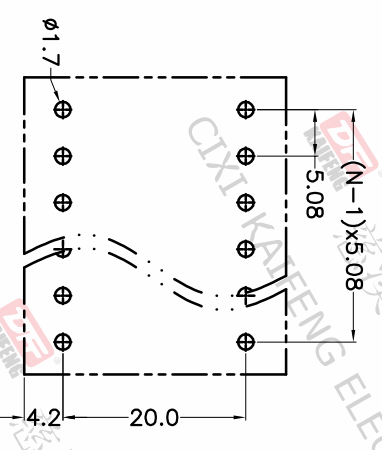
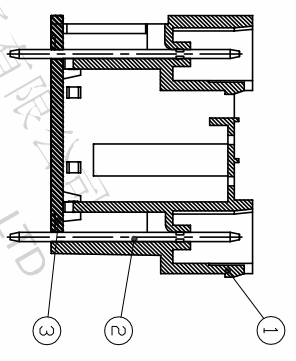
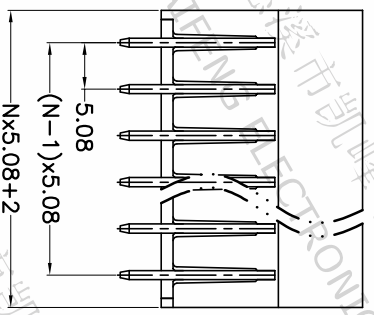
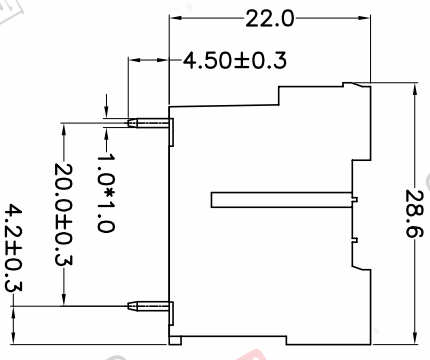
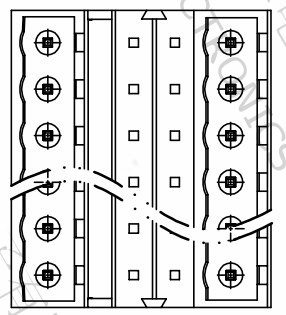


REV.	DESCRIPTION	DATE	DRAFTER	APPROVER
A1	DWG.REL	2020.5.20	ZHANG	JIN



P.C.B. LAYOUT

Pitch range	Nominal dimension range	PROJECTION
>0	>0	0.1/10
~6	~30	~
~10	~60	~
~24	~100	~
~30	~150	~
±0.15	±0.30	±2°
±0.20	±0.50	±2°
±0.30	±0.70	±2°
±1.00	±1.30	±2°

DRAWING TYPE	CUSTOMER DRAWING
SCALE	1:1
SHEET	1 OF 1
DRAWING NO.	W10001762

PROJECTION	UNIT	TITLE
1:1	mm	KF1026V-5.08-2*XXP-1X
A4	A4	SERIES KF1026V

- Material
 ØHousing : PA66, UL94V-0
 ØPin header : Copper alloy, Tin plated
 ØCover : PA66, UL94V-0
- Electrical
 UL IEC
 Rated voltage : 300V 320V
 Rated current : 15A 20A
 Contact resistance : 20mΩ(Max)
 Insulation resistance: 500MΩ/DC500V
 Withstanding Voltage : AC2000V/1min
- Mechanical
 Operating temperature: -40°C ~ +105°C
 Soldering temperature: 250°C ±5/5sec
- RoHS compliance

HOW TO ORDER
 KF1026V-5.08-2*XXP-1 X-XXXXX

MODEL Pitch:mm

No.of poles: 2~24P

Color: Request
 G:Green R:Red
 K:Black W:White
 O:Orange B:Blue
 GR:Grey

1:Single Pitch
 2:Double Pitch

DF 慈溪市凯峰电子有限公司
 CIXI KAIFENG ELECTRONICS CO.,LTD