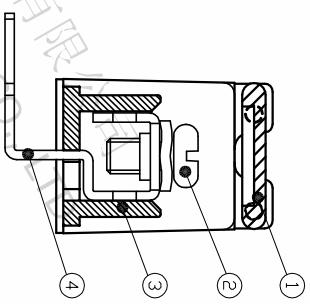
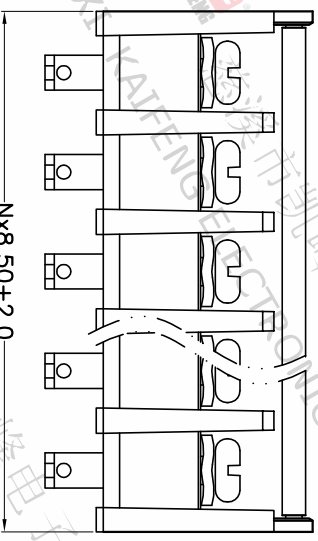
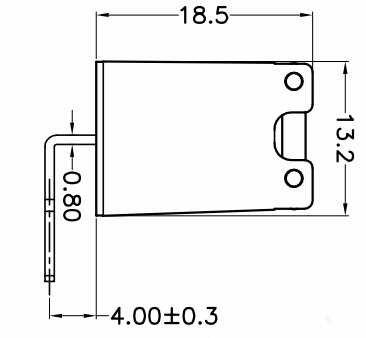
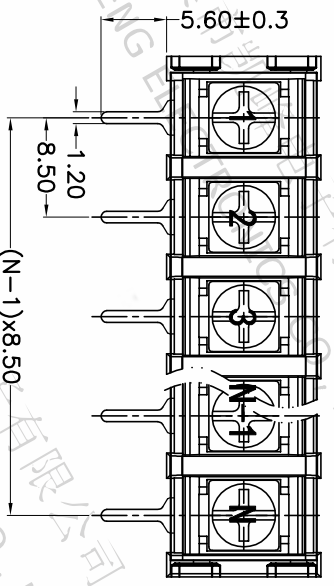


REV.	DESCRIPTION	DATE	DRAFTER	APPROVER
A1	DWG.REL	2020.05.21	LIUZH	JIN



- Material
 - ①Cover : PC
 - ②Screws : M3.0 steel, Ni plated
 - ③Housing : PA66,UL94V-0
 - ④Terminal : Brass, Tin plated

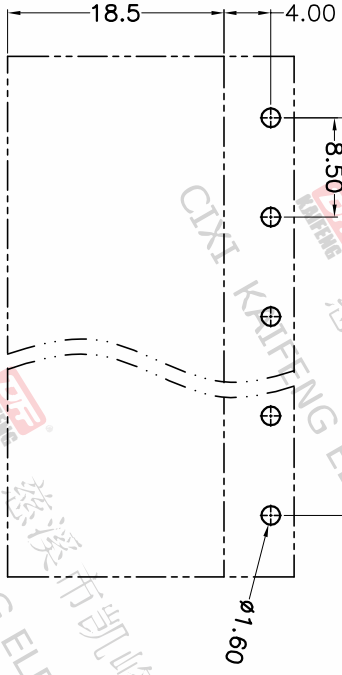
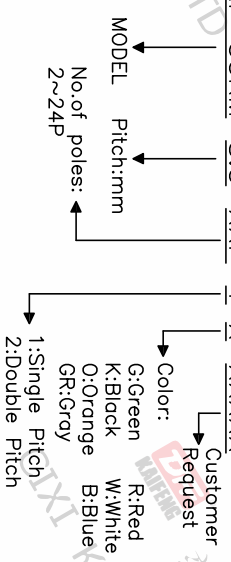
- Electrical
 - UL IEC
 - Rated voltage : 300V 450V
 - Rated current : 20A 24A
 - Contact resistance : 20mΩ(Max)
 - Insulation resistance: 500MΩ/DC500V
 - Withstanding Voltage : AC2000V/1min
 - Wire range: 22-12AWG 2.5mm²

- Mechanical
 - Operating temperature: -40℃ ~ +105℃
 - Soldering temperature: 250℃ ±5/5sec
 - Torque: 0.5N.m (4.43lb.in)

• RoHS compliance

HOW TO ORDER

KF-35RM-8.5-XXP-1 X-XXXXX



P.C.B. LAYOUT

Pitch range	Nominal dimension range	PROJECTION
>0	>0	0.1/10
~6	~30	≤
~10	~60	≤
~24	~100	≤
~30	~150	±2°
±0.15	±0.30	±2°
±0.20	±0.30	±2°
±0.30	±0.50	±2°
±0.50	±0.70	±2°
±1.00	±1.00	±2°
±1.30	±1.30	±2°

DRAWING TYPE	CUSTOMER DRAWING	PROJECTION	UNIT	TITLE
SCALE	1:1	SHEET	1 OF 1	KF-35RM-8.5-XXP-1X
DRAWING NO.	W12000702	SHEET SIZE	A4	SERIES
				KF-35RM

DF 慈溪市凯峰电子有限公司
CIXI KAIFENG ELECTRONICS CO.,LTD

