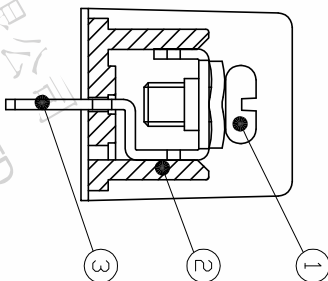
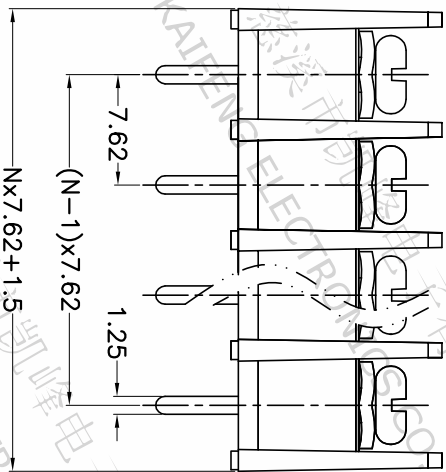
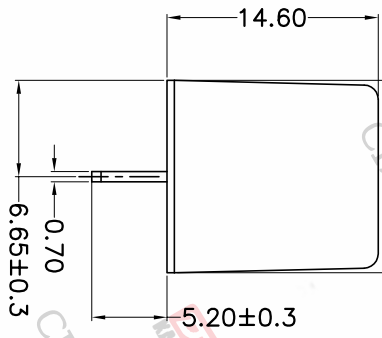
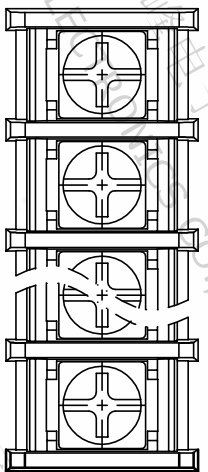


REV.	DESCRIPTION	DATE	DRAFTER	APPROVER
A1	DWG.REL	2020.05.20	LIUZH	JIN



- Material
  - ①Screws : M3.0 steel, Ni plated
  - ②Housing : PA66, UL94V-0
  - ③Terminal : Brass, Tin plated

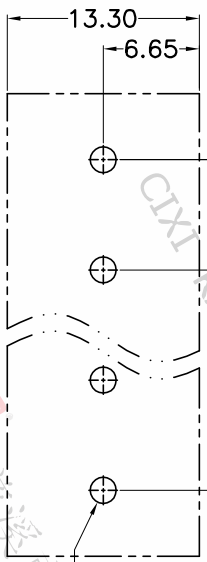
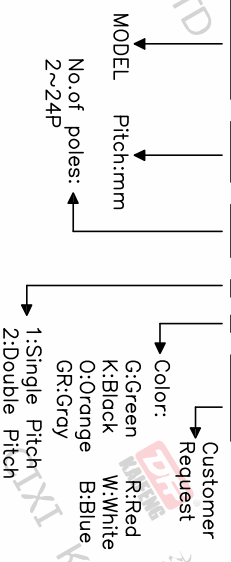
- Electrical
  - UL IEC
  - Rated voltage : 300V 250V
  - Rated current : 15A 24A
  - Contact resistance : 20mΩ(Max)
  - Insulation resistance: 500MΩ/DC500V
  - Withstanding Voltage : AC2000V/1min
  - Wire range: 22-14AWG 2.5mm<sup>2</sup>

- Mechanical
  - Operating temperature: -40°C ~ +105°C
  - Soldering temperature: 250°C ±5/5sec
  - Torque: 0.5N.m (4.43lb.in)

• RoHS compliance

HOW TO ORDER

KF-25C-7.62-XXP-1 X-XXXXX



P.C.B. LAYOUT

Pitch range	Nominal dimension range	0.1/10	±2°
>0	>30	0.1/10	±2°
>6	>60	0.1/10	±2°
>10	>100	0.1/10	±2°
~6	~100	0.1/10	±2°
~10	~150	0.1/10	±2°
~24	~150	0.1/10	±2°
±0.15	±0.30	±0.30	±2°
±0.20	±0.30	±0.50	±2°
±0.30	±0.70	±1.00	±2°
±1.30	±1.30	±1.30	±2°

DRAWING TYPE	CUSTOMER DRAWING
SCALE	1:1
SHEET	1 OF 1
DRAWING NO.	W12000492

PROJECTION	UNIT	TITLE
1st Angle	mm	KF-25C-7.62-XXP-1X
SHEET SIZE	A4	SERIES KF-25C

**DFE** 慈溪市凯峰电子有限公司  
CIXI KAIFENG ELECTRONICS CO.,LTD